

# QUOTE REQUEST

# CHIP DISC FILTRATION



Please complete this form and email to [info@hennig-inc.com](mailto:info@hennig-inc.com) or fax to your nearest location.  
Find your nearest Hennig location.

[www.hennigworldwide.com](http://www.hennigworldwide.com)

## COMPANY (complete address)

\_\_\_\_\_  
\_\_\_\_\_  
\_\_\_\_\_

Name \_\_\_\_\_  
Title \_\_\_\_\_  
E-mail \_\_\_\_\_  
Phone \_\_\_\_\_ Fax \_\_\_\_\_ Date \_\_\_\_/\_\_\_\_/\_\_\_\_

## EXISTING CONVEYOR (If you have the conveyor part number, disregard the sections below)

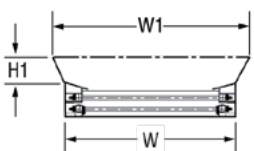
Brand  Hennig  Enomoto  Hennig-France (formerly Sermeto)  Cobsen  Other \_\_\_\_\_  
Part # \_\_\_\_\_ Serial # \_\_\_\_\_ Belt Type  Hinge ( Plain  Perf  Dimple)  Scraper  Magnetic

## MACHINE INFORMATION

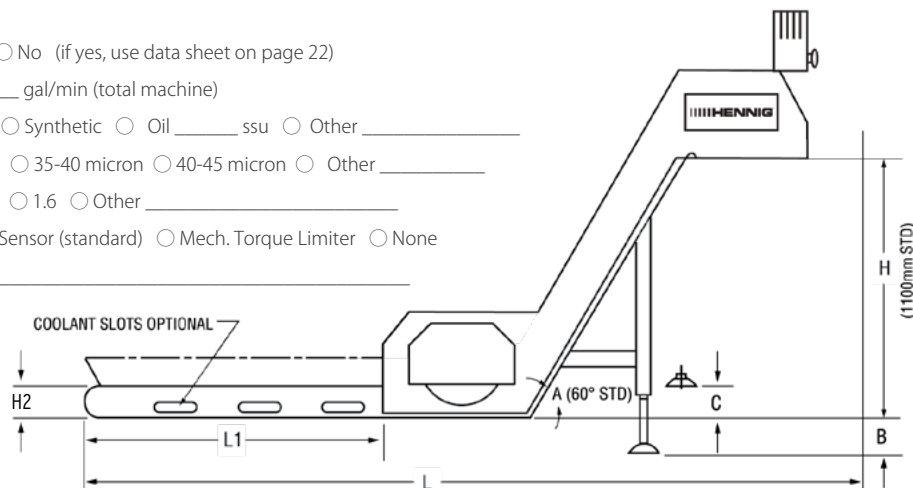
Make \_\_\_\_\_ Model \_\_\_\_\_ Available References  Photos  Drawings  
Type  Lathe  Milling  Drilling  Tapping  Other \_\_\_\_\_ Chip Volume \_\_\_\_\_ in<sup>3</sup>/min  
Spindle Horse Power \_\_\_\_\_ hp Available Power  440  220  110  24 VDC  Other \_\_\_\_\_  
Chip Material  Soft Steel  Hard Steel  Stainless Steel  Brass/Copper  Cast Iron  Aluminum  Cast Aluminum  Other \_\_\_\_\_  
Kind of Chips  Fine  Broken  Large Broken  Lg Bushy  Tight Bushy

## CONVEYOR TECHNICAL DATA

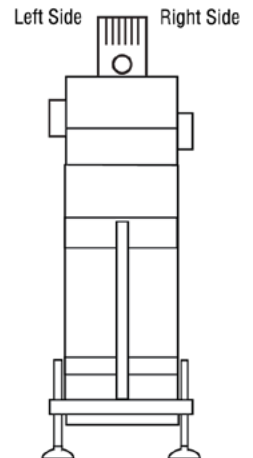
Intake Length	L1 _____ mm	Installed Location	<input type="radio"/> On Floor <input type="radio"/> Inside Machine <input type="radio"/> Inside Pit <input type="radio"/> Inside Tank
Max Length	L _____ mm	Motor Location	<input type="radio"/> Left <input type="radio"/> Right
Discharge Height	H _____ mm	Power Requirements	V _____ Ph _____ Hz _____
Max Width	W _____ mm	Control Box	<input type="radio"/> Yes <input type="radio"/> No
Angle (45°, 60°)	A _____ deg.		<input type="radio"/> Variable Speed (standard) <input type="radio"/> 3 button box (fwd, rev, e-stop) <input type="radio"/> Auto/Manual Selector Switch
Width of Chip Chute	W1 _____ mm		<input type="radio"/> Electrical Plug (if yes, please specify) _____
Height of Chip Chute	H1 _____ mm	Control Box Location	<input type="radio"/> Top Front <input type="radio"/> Top Left <input type="radio"/> Top Right
Inlet Height (minimum)	H2 (1.5" pitch belt) 120 mm		<input type="radio"/> Left Side <input type="radio"/> Right Side <input type="radio"/> Stand Alone
	H2 (2.5" pitch belt) 200 mm	Paint (texture powder coated)	<input type="radio"/> RAL # _____ <input type="radio"/> Other _____
Belt Width	B _____ mm		
Foot Location (choose one)	<input type="radio"/> B <input type="radio"/> C _____ mm		
Casters	<input type="radio"/> Yes <input type="radio"/> No		
Coolant Tank Required	<input type="radio"/> Yes <input type="radio"/> No (if yes, use data sheet on page 22)		
Coolant Flow Rate	_____ gal/min (total machine)		
Coolant Type	<input type="radio"/> Water Soluble <input type="radio"/> Synthetic <input type="radio"/> Oil _____ ssu <input type="radio"/> Other _____		
Filtration Level	<input type="radio"/> 25-30 micron <input type="radio"/> 35-40 micron <input type="radio"/> 40-45 micron <input type="radio"/> Other _____		
Conveyor Speed (m/min)	<input type="radio"/> 2.2 <input type="radio"/> 1.6 <input type="radio"/> Other _____		
Overload Protection	<input type="radio"/> Current Sensor (standard) <input type="radio"/> Mech. Torque Limiter <input type="radio"/> None		
	<input type="radio"/> Other _____		



INLET CROSS SECTION



LEFT SIDE PROFILE VIEW



FRONT VIEW